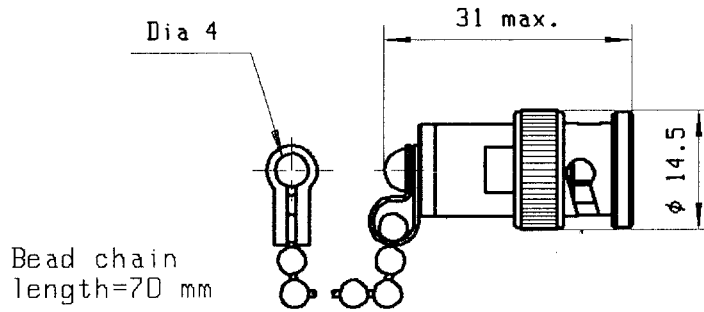


TITLE: 1 W 1GHZ BNC/m COAXIAL TERMINATION

LTR. C

DRAWING



General tolerances: +/- 0.5 mm

ELECTRICAL CHARACTERISTICS

FREQUENCY RANGE	: DC - 1GHz
IMPEDANCE	: 75 Ohms
DC RESISTANCE	: 75 Ohms ± 2 %
AVERAGE POWER HANDLING	: 1 W at 25°C
PEAK POWER HANDLING	: 500 W (1 μs, 1%.) at 25°C
V.S.W.R :	DC - 0.5 GHz : <= 1.08
	0.5 - 1 GHz : <= 1.15

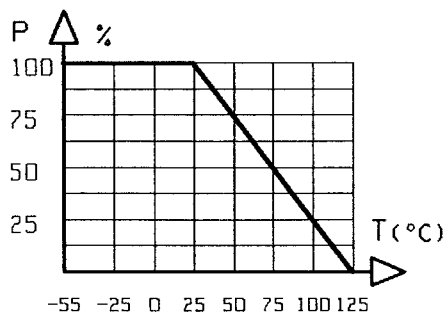
MECHANICAL CHARACTERISTICS

CONNECTOR	: BNC male per MIL C 39D12
MAXIMUM WEIGHT	: 20 grams

ENVIRONMENTAL CHARACTERISTICS

OPERATING TEMPERATURE RANGE (°C)	: -55 , +125
STORAGE TEMPERATURE RANGE (°C)	: -55 , +125

Power derating
Versus temperature



Tentative data subject to change without notice

PEN CAT	QUALITY Dpt App.				
	<div style="border: 1px solid black; padding: 2px; display: inline-block;">MO B</div>		C	new format	28.09.92 PG
PAGE 1/1	DATE 13.03.89	NAME KL	B	Strip line technology	12.02.91 KL
			LTR	REVISIONS	DATE APP.